



GRAND LIGHTING™

M38R Surface Mount Rotation LED Gobo Projector

A compact, light weight LED gobo projector suitable internal installations as well as portable enough to take to events.

The high quality optical system and flat field produces a crisp vivid gobo image and crystal clear projection right to the edge.

The M38 has built in rotation which can be used if you want to grab someones attention or can be used to index your gobo.

The rotation feature can be turned on/off by the button on the base of the unit.

This unit is supplied with a cool white LED as standard, but warm white is available on request.

FEATURES

- A high quality LED projector with rotation
- High resolution optical system
- Available in black
- Standard 22° Medium Lens
- Passive rear fin cooling
- 38W 50,000 hr LED
- Gobo Size: 37.5mm OD / 28mm ID (flat field projection)
* a larger image area can be used for soft edges eg. breakups
- 24 month warranty
- Cool white LED as standard
- Fitted with an Australian standard 3 pin plug 240V AC

DIMENSIONS / SPECIFICATIONS

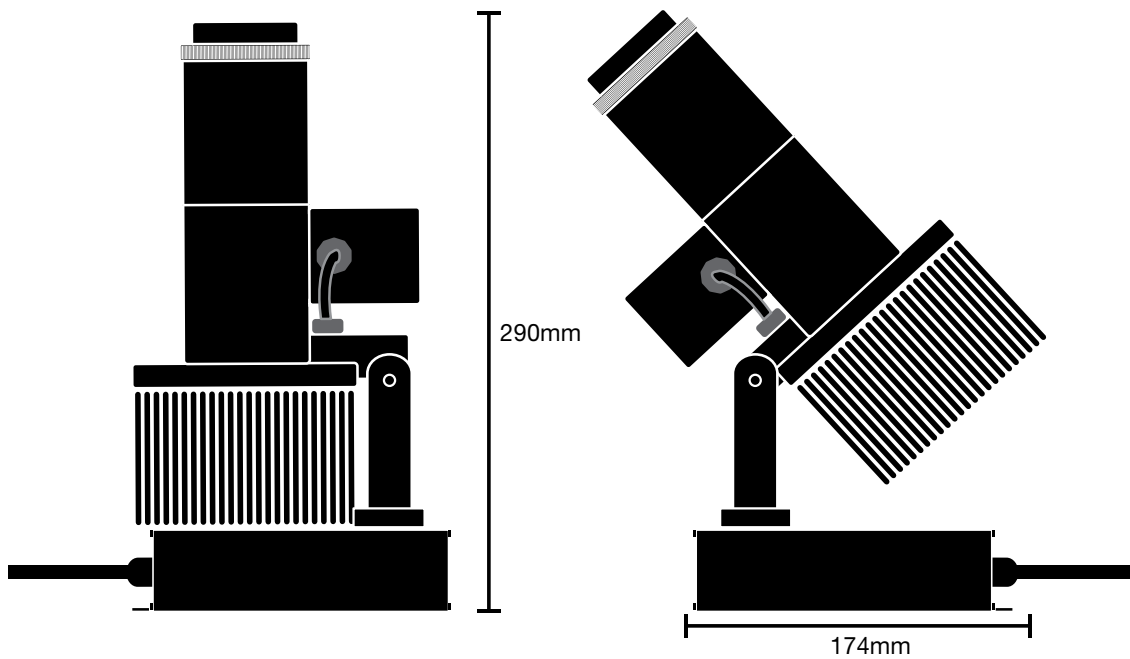
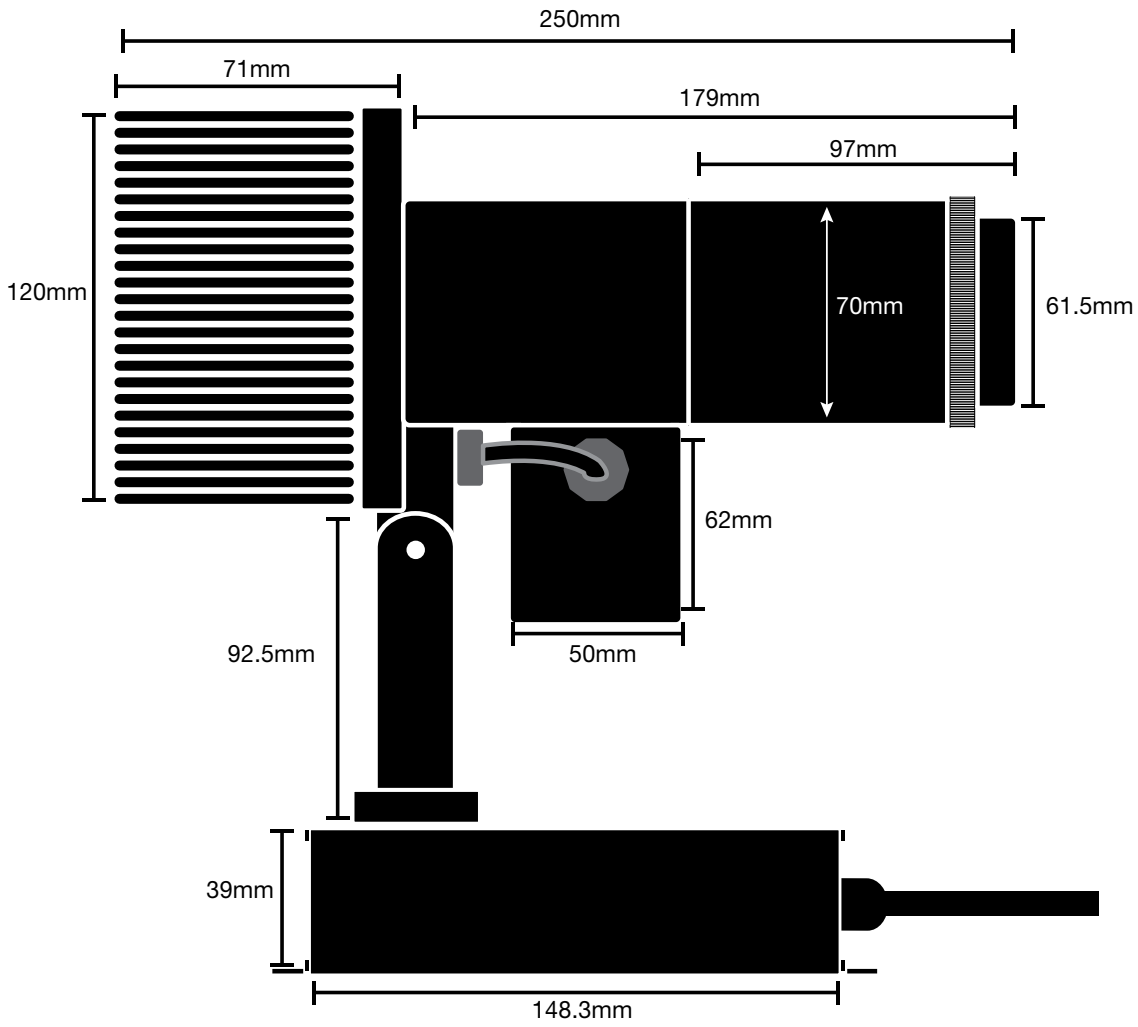
- Average Power Consumption: 33Watts
- Length: 250mm | 228mm (excluding lens)
- Height: 290mm
- Weight: 1.5kg

PHOTOMETRICS

	M38R 22° MEDIUM LENS			
	0.78m	1.17m	1.56m	1.94m
Projection Diameter (m)	0.78m	1.17m	1.56m	1.94m
Luminance (lux)	2864 lux	1273 lux	716 lux	458 lux
Projection Distance (m)	2m	3m	4m	5m

Lux values indicated are not peak values, which may be brighter. We give average Lux readings taken under actualy tests.

FIXTURE DIMENSIONS



FIXTURE DIMENSIONS

Base Box Dimensions

